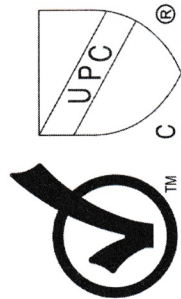


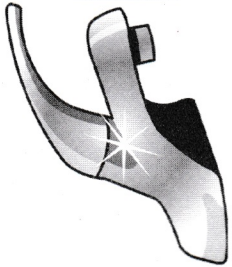
Dura Faucet Limited Lifetime Warranty

Dura Faucet warrants its RV faucets to be leak and drip free during normal use for as long as the original consumer purchaser owns a Dura Faucet. | If the faucet should leak or drip during normal use, Dura Faucet will, free of charge, mail to the purchaser the cartridge necessary to put the faucet in good working condition. This warranty applies only to Dura Faucets installed in the United States of America, Canada or Mexico (North America). | Dura Faucet also warrants all other aspects of the faucet or accessories to be free of defects in material and workmanship during normal usage in a recreational vehicle for as long as the original consumer purchaser owns his or her Dura Faucet. Plated metal and plated plastic finishes are warranted for (1) year. | If a defect is found during normal use, Dura Faucet will, at its election, repair, provide a replacement part or product, or make appropriate adjustment. Damage to a product caused by accident, misuse, or abuse is not covered by this warranty. Improper care and cleaning will void the warranty. Proof of purchase (original sales receipt) must be provided to Dura Faucet with all warranty claims. Dura Faucet is not responsible for labor charges, installation, or other incidental or consequential costs. In no event shall the liability of Dura Faucet exceed the purchase price of the faucet. | If you believe that you have a warranty claim, contact Dura Faucet through our online contact form. Please be sure to provide all pertinent information regarding your claim, including a complete description of the problem, the product, model number, color, finish, the date the product was purchased and from whom the product was purchased. Also include your original invoice. | **DURA FAUCET AND/OR SELLER DISCLAIM ANY LIABILITY FOR SPECIAL, INCIDENTAL OR CONSEQUENTIAL DAMAGES.** | Some states/provinces do not allow limitations of how long an implied warranty lasts or the exclusion of limitation of such damages, so these limitations and exclusions may not apply to you. This warranty gives the consumer specific legal rights. You may also have other rights that vary from state/province to state/province.

* Never use cleaners containing abrasive cleansers, ammonia, bleach, acids, waxes, alcohol, solvents or other products not recommended for plated metal or plastic finishes. This will void the warranty.



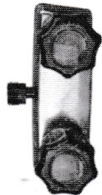
19215 SE 34th St. Ste 106-382
 Camas, WA 98607
 Tel/Fax: 888-242-5932
 www.durafaucet.com



DURA Faucet

RV Faucet Specialists

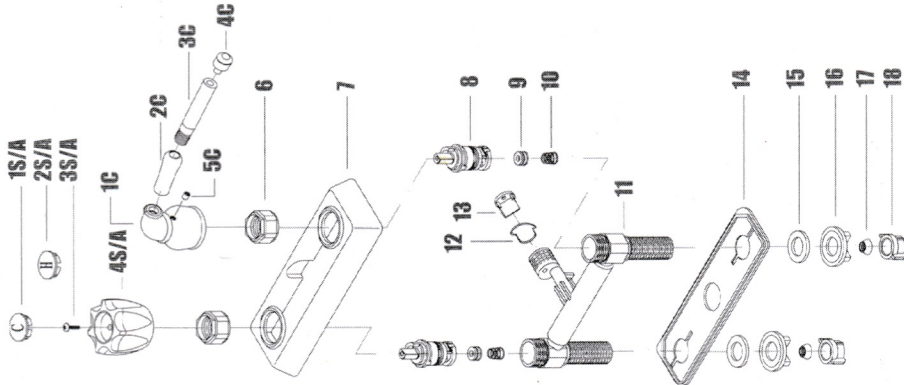
DF-SA100 Two Handle 4" RV Shower Faucet



DF-SA100S/A
 Acrylic Knobs
 Smoked/Crystal

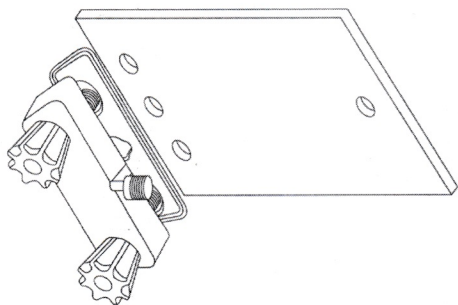


DF-SA100C
 Classical
 Levers



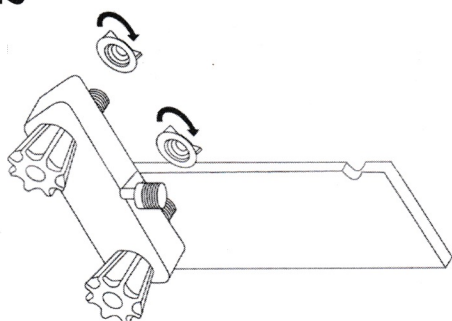
- 1C** ABS Base (2)
- 1S/A** Acrylic/Al C-Button (1)
- 2C** ABS Handle (2)
- 2S/A** Acrylic/Al H-Button (1)
- 3C** ABS Axle (2)
- 3S/A** Stainless Steel Handle Screw (2)
- 4C** ABS Plug (2)
- 4S/A** Acrylic Handle (2)
- 5C** Stainless Steel Handle Screw (2)
- 6** ABS Nut (2)
- 7** ABS Escutcheon (1)
- 8** POM/Rubber/Stainless Steel Cartridge-Hot (2)
- 9** Rubber Washer (2)
- 10** Stainless Steel Spring (2)
- 11** POM/Rubber Body (1)
- 12** Rubber Washer (1)
- 13** POM Cover (1)
- 14** PP Base Plate (1)
- 15** Rubber Washer (2)
- 16** ABS Mounting Nut (2)
- 17** Rubber Washer (2)
- 18** ABS Coupling Nut (2)

Installation Instructions



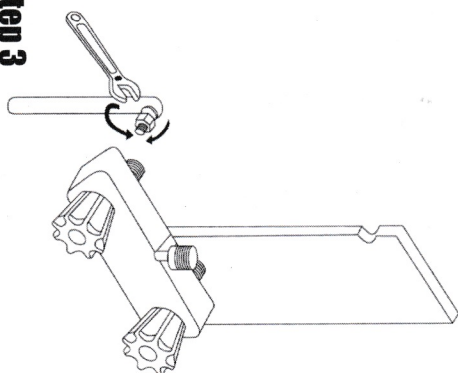
Step 1

Turn water off to RV before installing. Remove existing fixture. Place flat side of sealing gasket against wall, insert shower faucet inlet tubes through gasket into wall. Position shower faucet on wall.



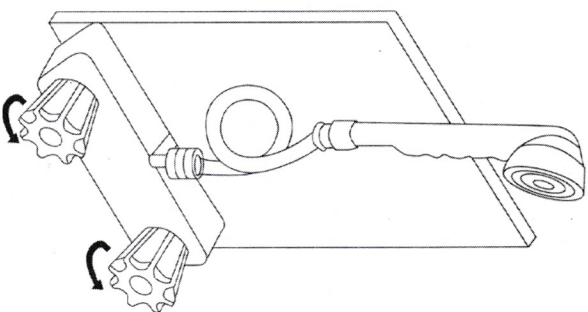
Step 2

Tighten lock nuts (F) from behind wall.



Step 3

Connect water supply lines from RV to inlet tubes of shower faucet. As you lace the shower faucet, hot water should be on your left, cold water on your right. Note: Hand tighten the nuts and then tighten 1/4 turn with wrench. Overtightening the nut can cause leaking.



Step 4

Turn water to RV back on and check for leaks at supply line connection. Turn hot and cold water on for 30 seconds to remove debris from the lines.

Maintenance/Cleaning Instructions

Knob Handles: Rotating the hot side knob handle counter clockwise, and likewise rotating the cold side knob handle counter clockwise, opens the cartridge and causes water to flow out the center shower outlet. The degree of handle opening determines the volume of water flow. Returning the knob handles to their original position stops the water flow. | **Lever Handles:** Rotating the hot side lever handle counter clockwise, and likewise rotating the cold side lever handle clockwise, opens the cartridge and causes the water to flow out the center shower outlet. The degree of handle opening determines the volume of water flow. Returning the lever handles to their original position stops the water flow. | **Cleaning Tips:** The finish on your faucet is designed to retain its beautiful sheen for years. To maintain the original look of the finish, a little care and caution should be used. We recommend the use of mild soap and water to clean the faucet. THE USE OF ABRASIVE CLEANERS MAY SCRATCH THE FINISH.